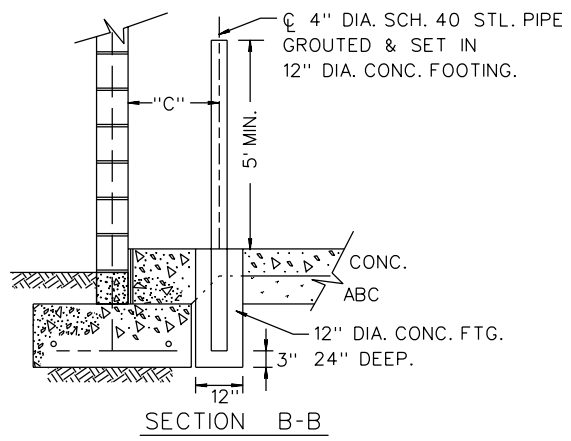
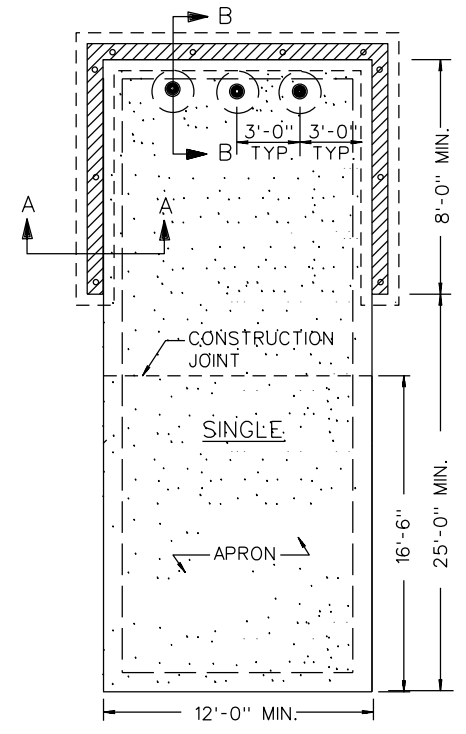
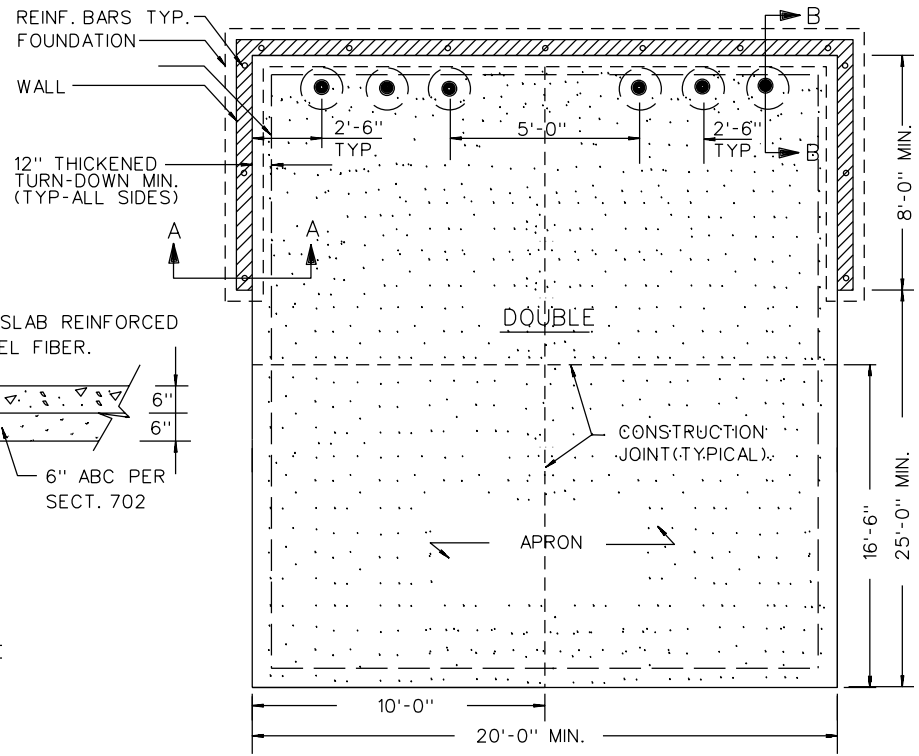
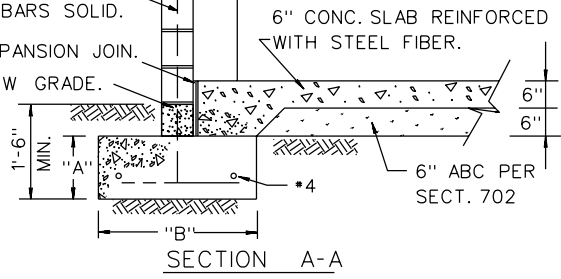


8"x2"x16" SOLID CAP  
 DEEP CUT BOND BEAM 8"x8"x16"  
 SOLID WITH REINF. BAR # 4 BEND  
 INTO CORNERS.  
 8"x8"x16" C.M.U. MAG. SEC. 775  
 STANDARD JOINT DUR-O-WALL  
 WIRE @ 16" O.C.  
 COLOR, TEXTURE, MATERIAL OF  
 ENCLOSURE TO MATCH BLDG'S.  
 VERTICAL REINF. (R) GROUT  
 CELLS WITH REINF. BARS SOLID.  
 1/2" PREMOLDED EXPANSION JOIN.  
 SOLID GROUT BELOW GRADE.



- NOTES:
- THE PROPERTY OWNER SHALL BE RESPONSIBLE FOR THE MAINTENANCE AND REPAIR OF ALL SURFACES, ASPHALT AND CONCRETE, ALONG THE DRIVE PATH OF COLLECTION VEHICLES.
  - GATES REQUIRE PRIOR APPROVAL BY THE CITY OF TEMPE.
  - CONSTRUCT ENCLOSURE PER M.A.G. SECTION 510 AND 725.
  - 4" DIA. SCH. 40 STL. PIPE GUARD POSTS SHALL RECEIVE A ZINC CHROMATE PRIME COAT AND 2 COATS FLAT MATTE PAINT TO MATCH ENCLOSURE.
  - ALL INTERIOR PAD DIMENSIONS ARE MINIMUMS.
  - MASONRY  $f_m = 1,500$  psi
  - REINFORCING  $f_y = 60,000$  psi /  $f_s = 24,000$  psi
  - CONCRETE:  $f'_c = 4,000$  psi
  - 2" XOREX STEEL FIBER 39.00 LBS/CY

TABLE # 1

"H"	"A"	"B"	"R"	"C"
6'-0"	12"	24"	#4 @ 48"	14"
7'-0"	12"	24"	#5 @ 48"	14"
8'-0"	12"	24"	#5 @ 48"	14"
9'-0"	12"	28"	#6 @ 48"	16"
10'-0"	12"	30"	#6 @ 48"	17"

