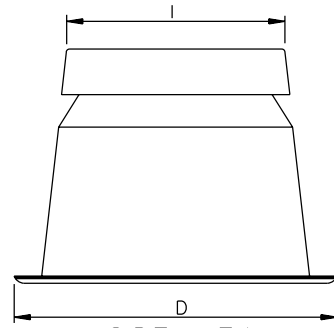
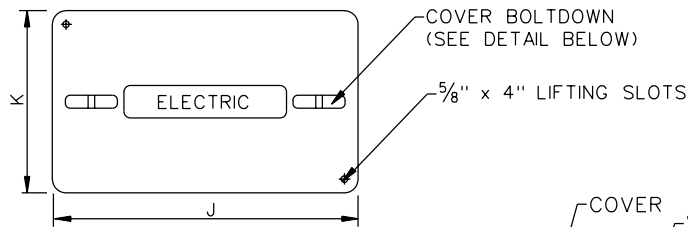


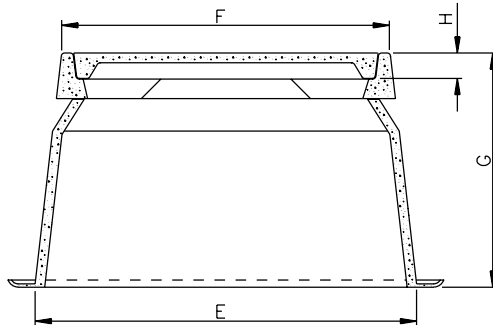
PULL BOX PLAN



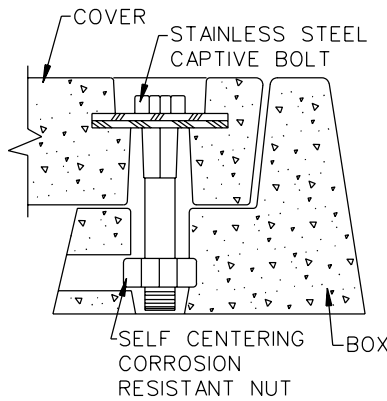
SIDE VIEW



COVER VIEW



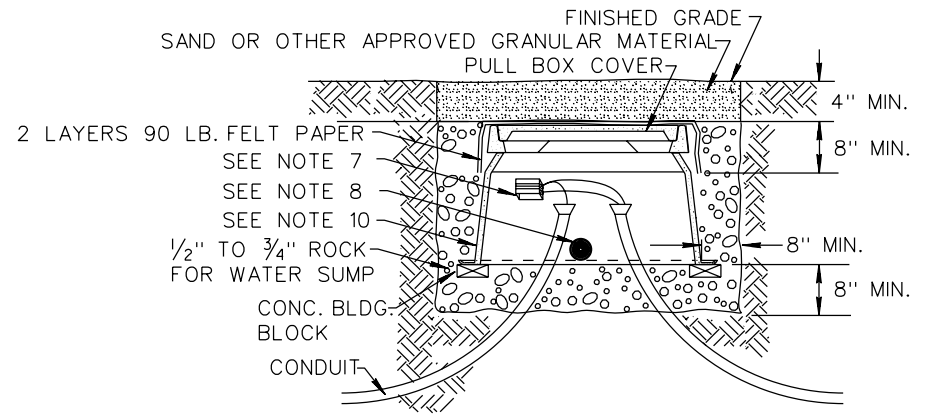
PULL BOX SECTION



BOLTDOWN DETAIL

GENERAL NOTES

1. -BOX AND COVER SHALL BE CONCRETE OR COMPOSITE.
2. -COVERS SHALL BE SECURED WITH 3/8" BOLTS, NUTS & WASHERS, WHICH SHALL BE OF BRASS, STAINLESS STEEL OR OTHER CORROSION RESISTANT MATERIAL. STAINLESS STEEL SHALL HAVE A CHROMIUM CONTENT OF NOT LESS THAN 18 % AND A NICKEL CONTENT OF NOT LESS THAN 8 %, NUTS SHALL BE RECESSED BELOW TOP SURFACE OF COVER.
3. -COVER LETTERING SHALL BE 1/2" MINIMUM LETTERS CAST IN STANDARD MARKINGS: (ELECTRIC OR HIGH VOLTAGE AS REQUIRED).
4. -CONDUIT ENTERING THE BOX SHALL HAVE A 90 DEGREE LONG RADIUS SWEEP TERMINATING INSIDE THE BOX THE CONDUIT'S OPENING, INSIDE THE BOX, SHALL BE AT LEAST 4" BELOW THE LID, OPENING SHALL HAVE SMOOTH EDGE. IF THE CONDUIT IS P.V.C., A SLIP COUPLING SHALL BE USED. IF THE CONDUIT IS RIGID PIPE, A PROTECTIVE BUSHING SHALL BE USED.
5. -CONDUCTORS SHALL HAVE A MINIMUM OF 24" SLACK FROM CONDUIT BELL END.
6. -BACKFILL WITH GRANULAR MATERIAL AND THOROUGHLY COMPACT.
7. -GELCAP-SL-2/0-3 HOLE PRODUCT FOR POWER CABLE CONNECTORS RATED FOR BURIED OR SUBMERSED INSTALLATIONS.
8. -IN EXISTING PULL BOXES INSTALL A UNIDIRECTIONAL RED BALL MARKER, 4IN. BALL FOR LOCATING ELECTRIC STUBBED OUT CABLE OR EQUIPMENT, 1402 - 3M. OR APPROVED EQUAL.
9. -MARKER IN THE J-BOX LID OR RED BALL MARKER, SHALL BE COMPATIBLE WITH AGENCY LOCATING EQUIPMENT, COORDINATION WITH AGENCY IS REQUIRED.
10. -NEW JUNCTION BOXES SHALL HAVE A MARKER IN THE LID, AND SHALL BE LISTED BY NRTL (NATIONALLY RECOGNIZED TESTING LABORATORY). AND BOXES SHALL HAVE APPROPRIATE LOAD RATING CAPACITY.



INSTALLATION DETAIL

PULL BOX TYPE	A	B	C	D	E	F	G	H	I	J	K
3/2	15 ⁹ / ₁₆ "	23 ³ / ₄ "	10 ⁵ / ₁₆ "	18 ¹ / ₂ "	21 ¹ / ₄ "	17 ¹ / ₁₆ "	12"	1 ³ / ₄ "	11 ³ / ₁₆ "	15 ³ / ₈ "	10 ¹ / ₈ "
5	23 ¹ / ₂ "	33 ¹ / ₂ "	14"	24"	29 ¹ / ₄ "	25 ¹ / ₄ "	12"	2"	15 ³ / ₄ "	23 ¹ / ₄ "	13 ³ / ₄ "
7	30 ³ / ₄ "	40 ³ / ₄ "	17 ³ / ₄ "	27 ³ / ₄ "	36 ³ / ₄ "	32 ¹ / ₂ "	12"	2"	19 ¹ / ₂ "	30 ¹ / ₂ "	17 ¹ / ₂ "

APPROVED: _____
 DEPUTY PUBLIC WORKS MANAGER DATE
 CITY ENGINEER